

Floor Drains and Collecting Tanks
Floor Drain with Stainless Steel Grate
- Horizontal outlet 300x300 mm

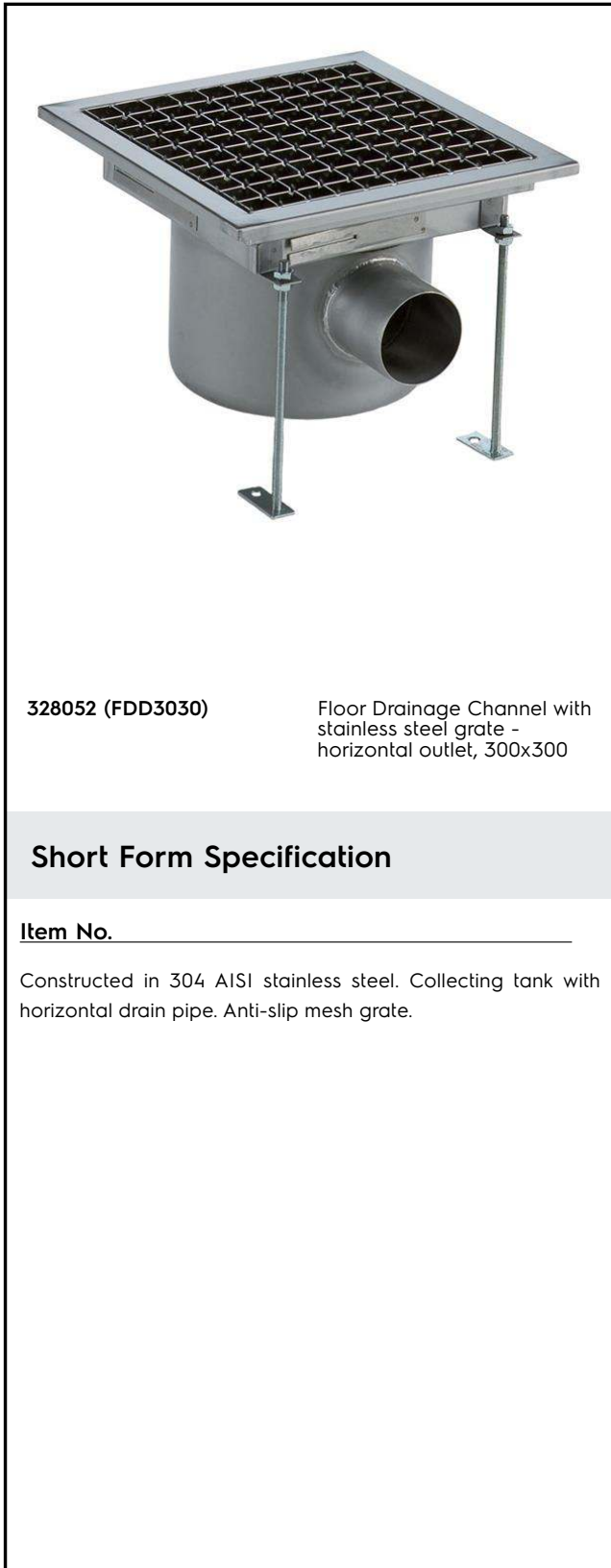
ITEM # _____

MODEL # _____

NAME # _____

SIS # _____

AIA # _____



328052 (FDD3030)

Floor Drainage Channel with stainless steel grate - horizontal outlet, 300x300

Short Form Specification

Item No. _____

Constructed in 304 AISI stainless steel. Collecting tank with horizontal drain pipe. Anti-slip mesh grate.

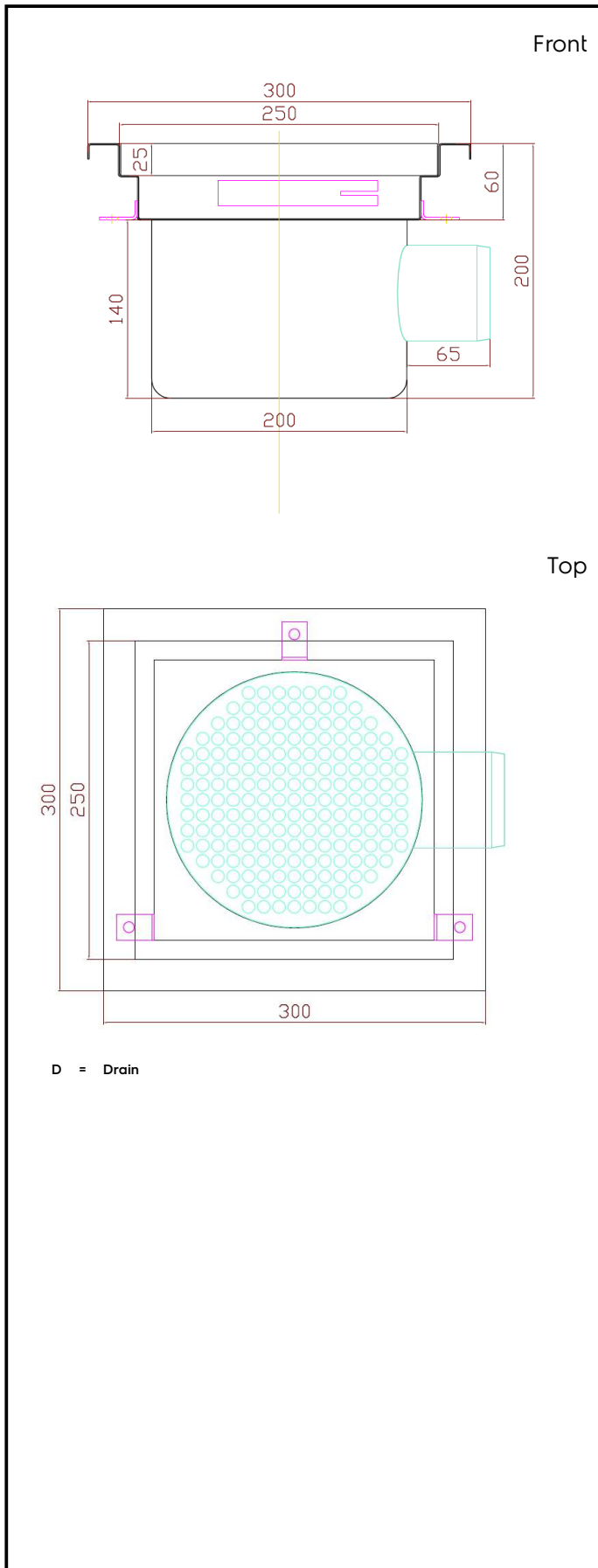
Main Features

- Easy to install.
- Anti-odour syphon.
- Removable waste blocking filter.
- Rag bolt for floor fixing.
- Easy to inspect for any possible waste removal action.
- Electrochemical finishing gives grids a bright appearance.
- Ideal for any drain solution, particularly suggested for great amounts of water drained during cleaning operations.

Construction

- Adjustable leveling feet.
- Anti-slip mesh 25x25 mm grating, h=25 mm, 1.5 mm in thickness.
- Top cover available with perforated surface or with stainless steel grid.
- Constructed entirely in 304 AISI stainless steel.
- Collecting tanks available with horizontal drain pipe.

APPROVAL: _____



Key Information:

External dimensions, Width:	300 mm
328052 (FDD3030)	300 mm
External dimensions, Depth:	300 mm
External dimensions, Height:	200 mm
Net weight:	10 kg